



**Dimensions mm[inch]**

tolerances acc. to DIN ISO 2768-m  
Toleranzen gem. DIN ISO 2768-m

**Isometric**

Scale 1:5  
Maßstab 1:5

**Terminals**

ends tinned  
Enden verzinkt

**Cable**

round cable LIYY 2x0,14 mm<sup>2</sup>, grey  
colour of wires: white and brown  
Rundkabel LIYY 2x0,14 mm<sup>2</sup>, grau  
Aderfarben: weiss und braun

**Nut**

polypropylene, white  
Mutter, Polypropylen, weiss

**O-ring**

nitrile caoutchouc black  
O-ring Nitril Kautschuk schwarz

**Stem**

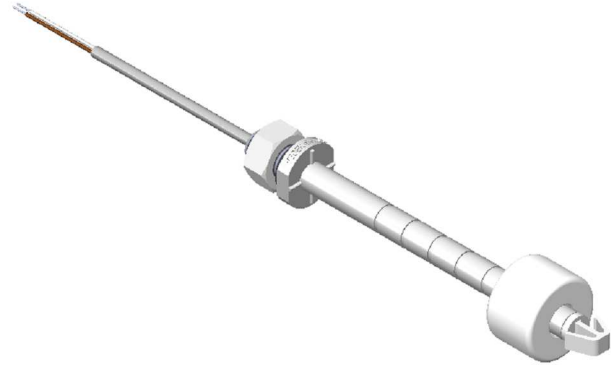
polypropylene white  
Schaft Polypropylen weiss

**Float MS02**

polypropylene white  
Schwimmer MS02 Polypropylen weiss  
Magnet orientated to cable exit  
Magnet in Richtung Kabelaustritt orientiert

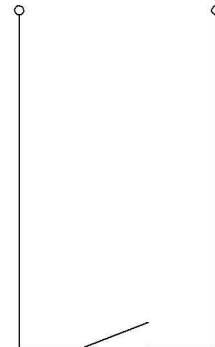
**Stopper**

polypropylene white  
Stopper Polypropylen weiss

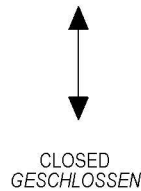


**Switching scale**

**Schematic**



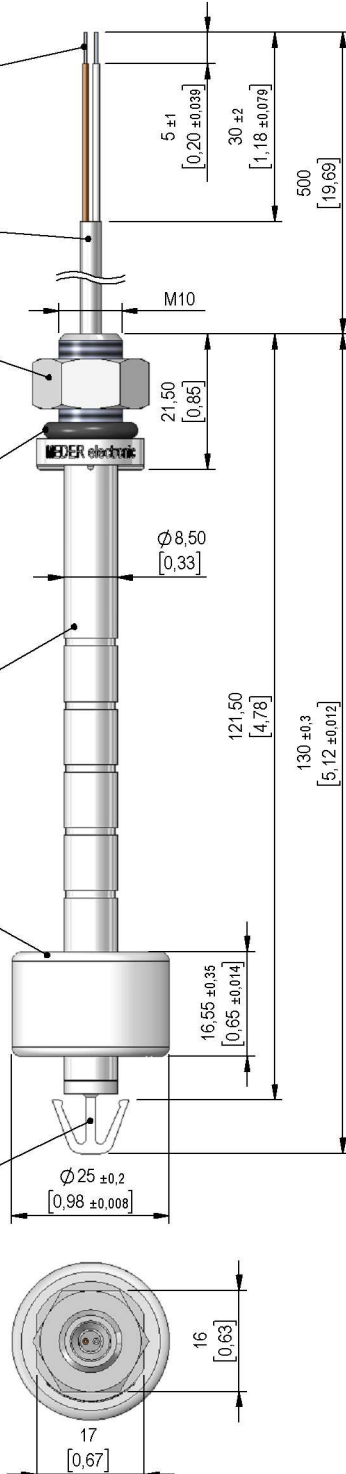
OPEN  
GEÖFFNET



CLOSED  
GESCHLOSSEN

**Marking**

according to EN60062/factory code  
gem. EN60062/Fertigungsstätte





Europe: +49 / 7731 8399 0

| Email: info@standexmeder.com

Item No.:

USA: +1 / 508 295 0771

| Email: salesusa@standexmeder.com

**9542662054**

Asia: +852 / 2955 1682

| Email: salesasia@standexmeder.com

Item:

**LS04-1A66-2-500W**

Special Product Data	Conditions	Min	Typ	Max	Unit
Number of contacts			1		
Contact - form			A - NO		
Contact rating	Any DC combination of V & A not to exceed their individual max.'s			10	W
Switching voltage	DC or Peak AC			180	V
Carry current	DC or Peak AC			1,25	A
Switching current	DC or Peak AC			0,5	A
Sensor-resistance	measured with 40% overdrive			350	mOhm
Housing material LS			PP		
Material of float			PP		
Case colour			white		
Sealing compound			Polyurethan		
Reach / RoHS conformity			yes		

Environmental data	Conditions	Min	Typ	Max	Unit
Shock	1/2 sine, duration 11ms, in 3 axis			50	g
Vibration	from 10 - 2000 Hz			20	g
Operating temperature	cable not moved	-30		70	°C
Operating temperature	cable moved	-5		70	°C
Storage temperature		-30		70	°C

Cable specification	Conditions	Min	Typ	Max	Unit
Cable type			round cable		
Cable material			PVC		
Cross section			0,14 mm <sup>2</sup>		

General data	Conditions	Min	Typ	Max	Unit
Mounting advice				over 5m cable, a resistor is recommended.	

Modifications in the sense of technical progress are reserved

Designed at: 04.07.11    Designed by: DKUECHLER

Approval at: 11.07.11    Approval by: DKUECHLER

Last Change at: 19.12.16    Last Change by: WKOVACS

Approval at: 19.12.16    Approval by: DKUECHLER

Rev. No.: 05