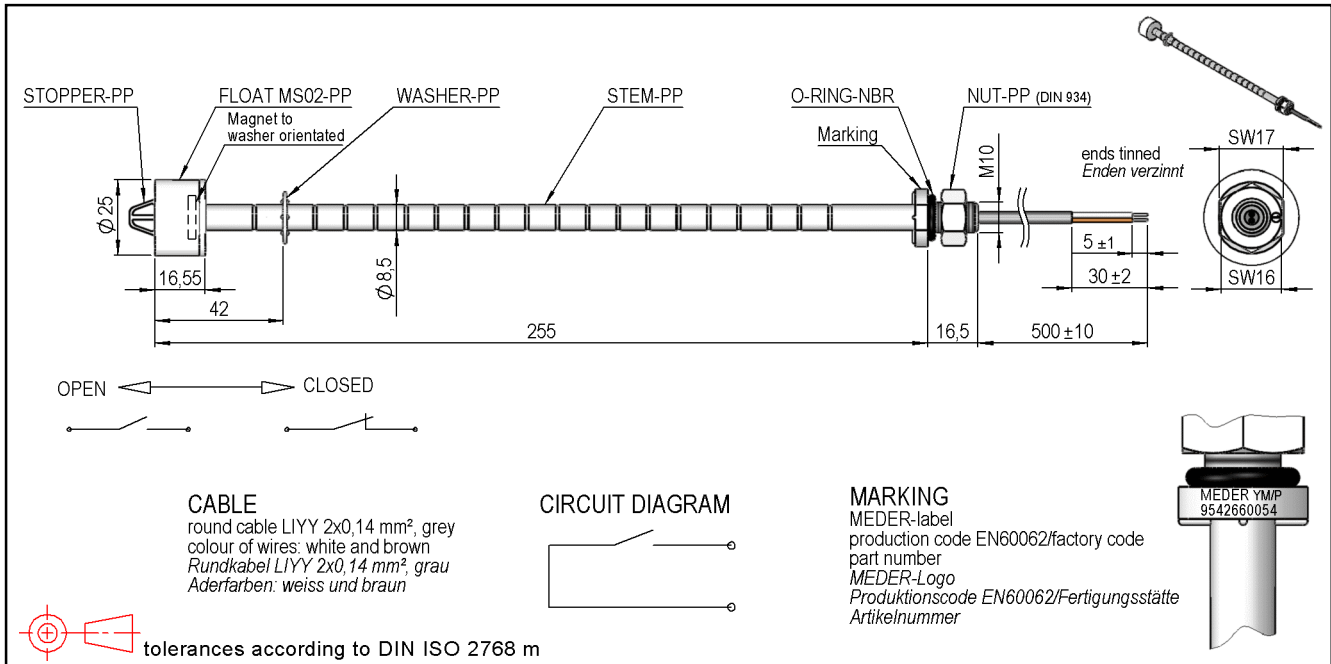


*Products for tomorrow...*



| Special Product Data | Conditions  | Min         | Typ | Max  | Unit |
|----------------------|---|-------------|-----|------|------|
| Contact rating       | Any DC combination of V & A not to exceed their individual max.'s |             |     | 10   | W    |
| Switching voltage    | DC or Peak AC   |             |     | 180  | V    |
| Carry current        | DC or Peak AC   |             |     | 1,25 | A    |
| Switching current    | DC or Peak AC   |             |     | 0,5  | A    |
| Sensor-resistance    | measured with 40% overdrive                                       |             |     | 350  | mOhm |
| Housing material     |   | PP          |     |      |      |
| Case colour          |   | nature      |     |      |      |
| Sealing compound     |   | Polyurethan |     |      |      |

| Environmental data    | Conditions      | Min  | Typ | Max | Unit |
|-----------------------|-----------------|------|-----|-----|------|
| Operating temperature | cable not moved | -30  |     | 80  | °C   |
| Operating temperature | cable moved     | -5   |     | 80  | °C   |
| Storage temperature   |                 | -30  |     | 80  | °C   |
| Safety class          | DIN EN 60529    | IP68 |     |     |      |

| Cable specification | Conditions | Min         | Typ | Max | Unit |
|---------------------|------------|-------------|-----|-----|------|
| Cable type          |            | round cable |     |     |      |
| Cable material      |            | PVC         |     |     |      |
| Cross section       |            | 0,14 sq-mm  |     |     |      |

| General data      | Conditions | Min  | Typ | Max | Unit |
|-------------------|------------|--|-----|-----|------|
| Mounting advice   |            | over 5m cable, a series resistor is recommended. |     |     |      |
| Tightening torque |            |  |     | 1   | Nm   |