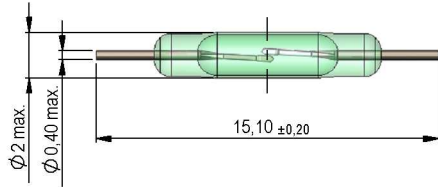
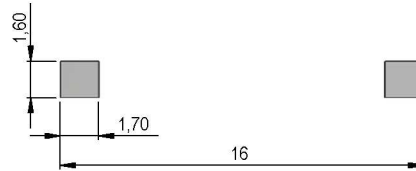


**Dimensions mm[inch]**  
tolerances according to DIN ISO 2768-m  
Toleranzen gem. DIN ISO 2768-m

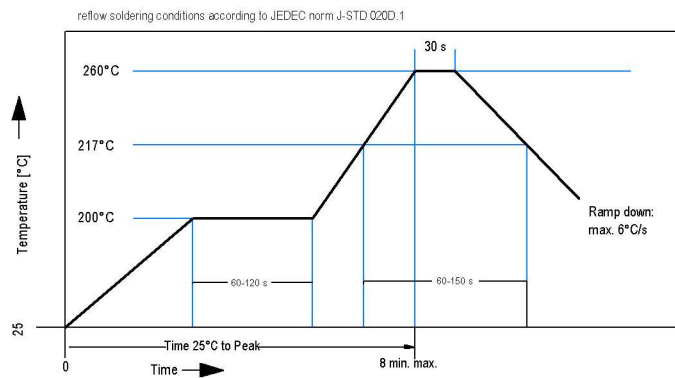
**Isometric**  
Scale 2:1  
Maßstab 2:1



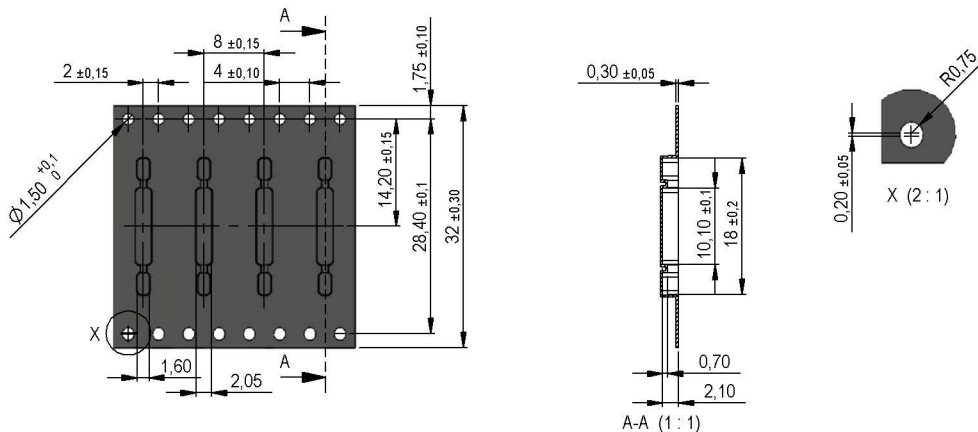
**Recommended PCB Pad Layout**



**Solder Reflow Profile**



**Packaging**





Europe: +49 / 7731 8399 0

| Email: info@standexmeder.com

USA: +1 / 508 295 0771

| Email: salesusa@standexmeder.com

Asia: +852 / 2955 1682

| Email: salesasia@standexmeder.com

Item No.:

**9233871015**

Item:

**MK23-87-B-1**

Magnetic properties	Conditions	Min	Typ	Max	Unit
Pull-In excitation (modified contact)	Reed switch modified phys. conditioned tolerance of +/- 1 AT	17		33	AT
Test-Coil	Reed switch modified	KMS-22			
Pull-In in milliTesla (modified conta	MS150 - phys. caused tolerance +/- 0,1mT	1,27		2,29	mT

Contact data 87	Conditions	Min	Typ	Max	Unit
Contact-No.		87			
Contact-form		A			
Contact-material	Plating thicknesses are proprietary	Rhodium			
Contact rating	Any DC combination of V & A not to exceed their individual max.'s			10	W
Switching voltage	DC or Peak AC			200	V
Switching current	DC or Peak AC			0,4	A
Carry current	DC or Peak AC			0,5	A
Contact resistance static	Measured with 40% overdrive Start Value			150	mOhm
Contact resistance dynamic	Maximum value 1,5 ms after excitation Start Value			200	mOhm
Insulation resistance	RH <45 %, 100V - to all points	1			GOhm
Breakdown voltage	according to IEC 255-5	230			VDC
Operate time incl. bounce	measured with 40% overdrive			0,6	ms
Release time	measured with no coil excitation			0,1	ms
Capacitance	@ 10 kHz across open switch		0,2		pF

Environmental data	Conditions	Min	Typ	Max	Unit
Shock	1/2 sine wave duration 11ms			50	g
Vibration	from 10 - 2000 Hz			20	g
Ambient temperature		-40		130	°C
Storage temperature		-55		130	°C
Soldering temperature	wave soldering max. 5 sec.			260	°C

General data	Conditions	Min	Typ	Max	Unit
Packaging		Tape & Reel 2500 pcs.			

Modifications in the sense of technical progress are reserved

Designed at: 12.05.09 Designed by: AKELLER

Approval at: 25.06.09 Approval by: RKAMP

Last Change at: 12.12.16 Last Change by: WKOVACS

Approval at: 12.12.16 Approval by: DVUCKOVIC

Version: 03