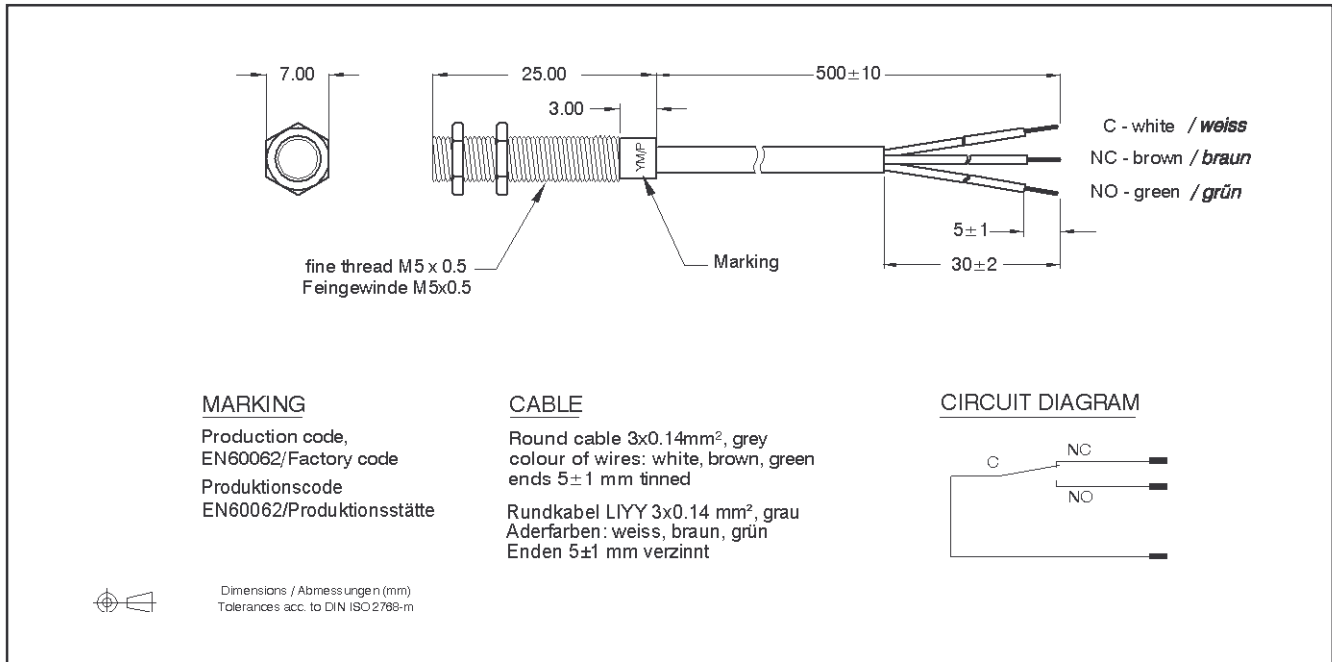


## Preliminary Datasheet



Magnetic properties	Conditions	Min	Typ	Max	Unit
Pull in	at 20°C	73		83	AT
Test equipment		KMS-13 + PK002 + SA002			

Special Product Data	Conditions	Min	Typ	Max	Unit
Contact-form		Form C			
Contact rating	Any DC combination of V & A not to exceed their individual max.'s			10	W
operating voltage	DC or Peak AC			175	V
operating ampere	DC or Peak AC			1	A
Switching current	DC or Peak AC			0,5	A
Sensor-resistance	measured with 40% overdrive Sensor deactivated			290	mOhm
Housing material		High grade steel 1.4305			
Sealing compound		Polyurethan			

Environmental data	Conditions	Min	Typ	Max	Unit
Operating temperature	cable not moved	-30		80	°C
Operating temperature	cable moved	-5		80	°C
Storage temperature		-30		80	°C

Cable specification	Conditions	Min	Typ	Max	Unit
Cable typ		round cable			
Cable material		PVC			
Cross section		0,14 mm <sup>2</sup>			

General data	Conditions	Min	Typ	Max	Unit
Mounting advice		over 5m cable, a series resistor is recommended.			
Tightening torque	referred to provided screw nuts			2	Nm